



Allied Bolt Products LLC

#920

- Used to support drop wire clamps, deadend clamps, and service drops on utility poles and buildings.
- Manufactured with curved upward "fetter" type thread that can be either wrenched or driven.
- Knurled ring provided to ensure proper driving depth.
- Offset flat head to ease driving.
- Formed from AISI 1018 Steel.
- Hot dip galvanized to meet ASTM Specification A153.
- Manufacturer's mark (ABI) on shank for traceability.

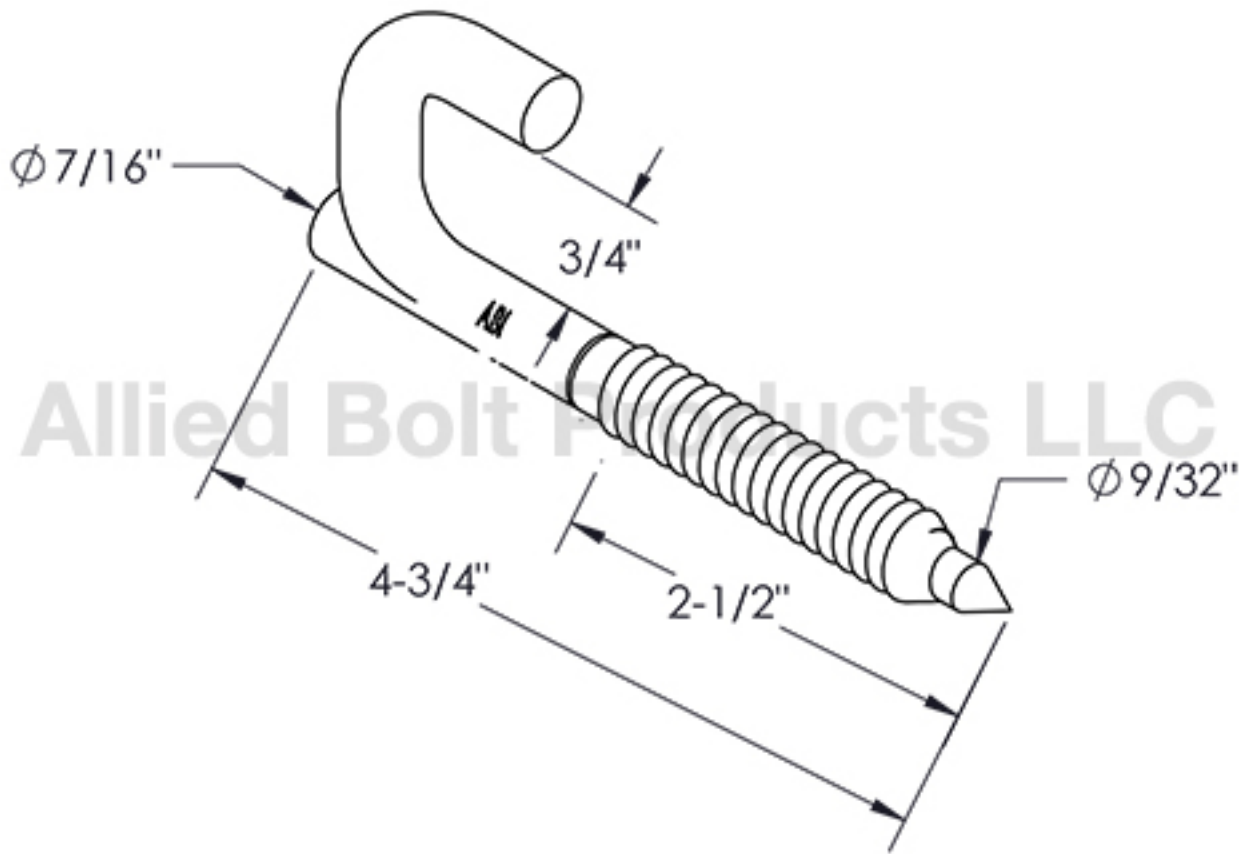
920

7/16" X 4-3/4" DRIVE HOOK

25

8

51



May 21, 2026