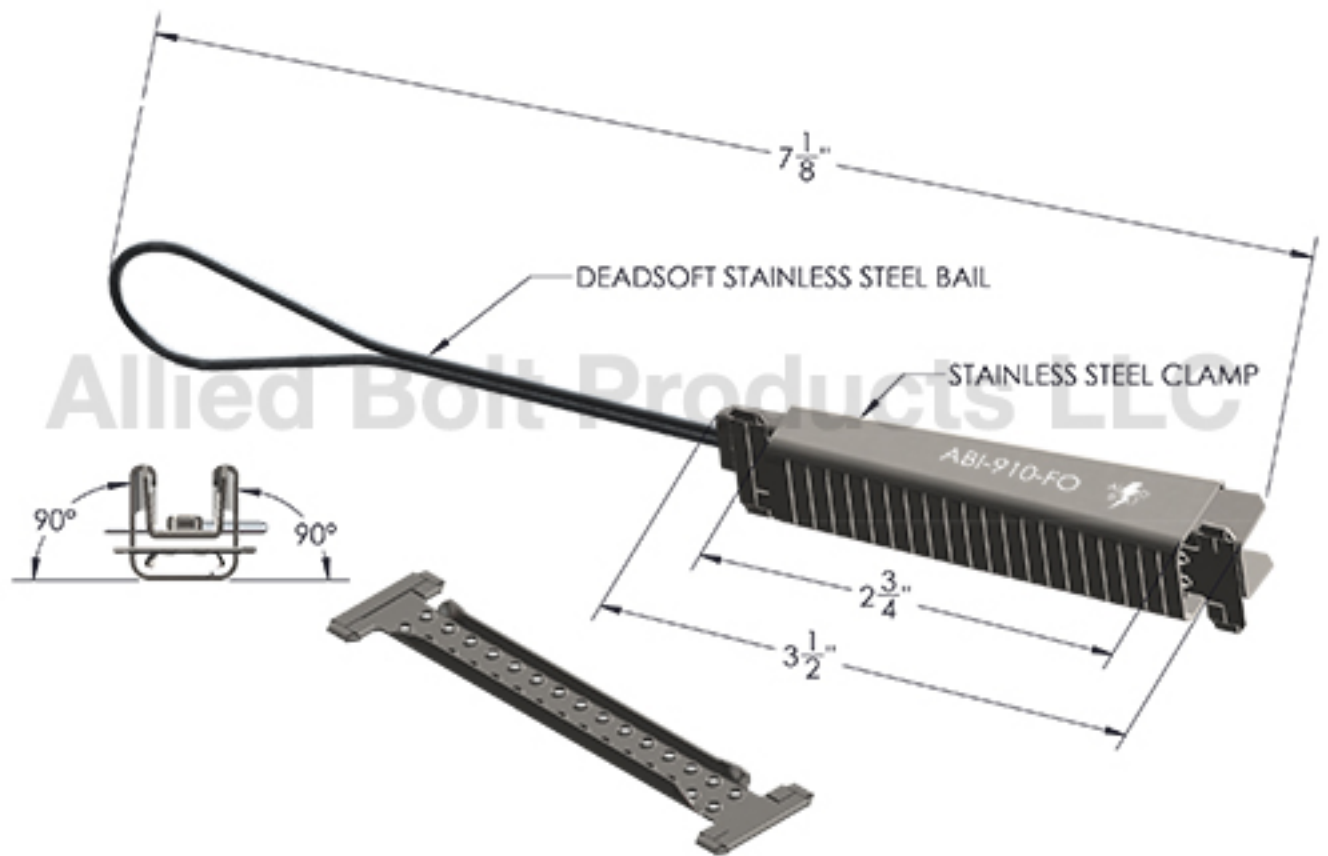




#910

- Three-piece elongated drop wire clamp that is designed to work with Corning Cable Systems SST™; Drop Cable and ROC™; Drop Cable, Prysmian's ResiLink™; ADF Flat Drop Dielectric Cable, OFS's Mini LT Flat Drop Cable, Superior Essex's Universal Drop FTTP Cable, and CommScope's LightScope ZWP™; Self-Supporting All-Dielectric Outdoor Drop Cable.
- Clamp is designed to be used as a dead-end clamp or a drop clamp.
- Clamp accommodates a fiber cable that is approximately 8.3mm (.325") wide and 4.5mm (.178") thick.
- The shell, shim, and wedge are stamped from high-strength #304 stainless steel. The tail wire is formed from #430 dead soft stainless steel.
- Fiber optic drop clamps are designed to hold, without slippage, fiber drops until the cable itself breaks.
- Custom shim has raised sidewalls that prevent drop cable from moving laterally inside clamp.
- Ears of shim are bent back to ensure no abrasion with cable.
- Protected by U.S. Patent Number 8,517,317.
- Protected by Chinese Patent Number CN 103703275 B.

910	FIBER DROP CLAMP WITH CUSTOM SHIM	25	20	47
-----	-----------------------------------	----	----	----



June 13, 2026