



- Used to secure cable, pipe, and conduit to various surfaces.
- Stamped from AISI 1018 Steel.
- Mechanically galvanized to meet ASTM Specification B695.

## #9000-12

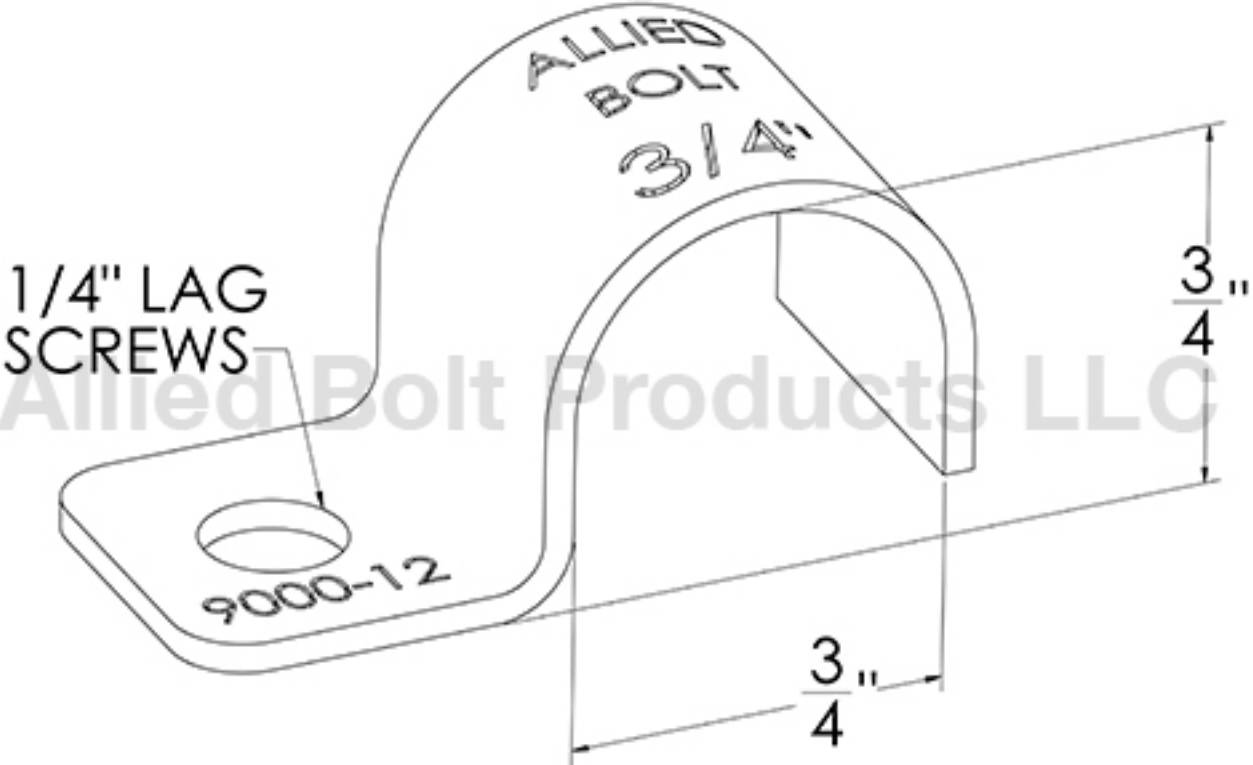
9000-12

3/4" ONE HOLE CLAMP

100

4

15



April 18, 2026