



#852

- Used to make a bonding connection between two copper ground wires.
- Bolt and nut formed from high-strength corrosion resistant C210 Copper.
- Specially designed pressure bar provides high pull-out strength.
- Under torque, provides high contact pressure between ground wires.
- Smallest two conductors accepted: 6 Sol.
- Largest two conductors accepted: 2 Str.
- Min. wire size that can be used with Max. wire size: 14 Str.
- UL listed file under number E479014.

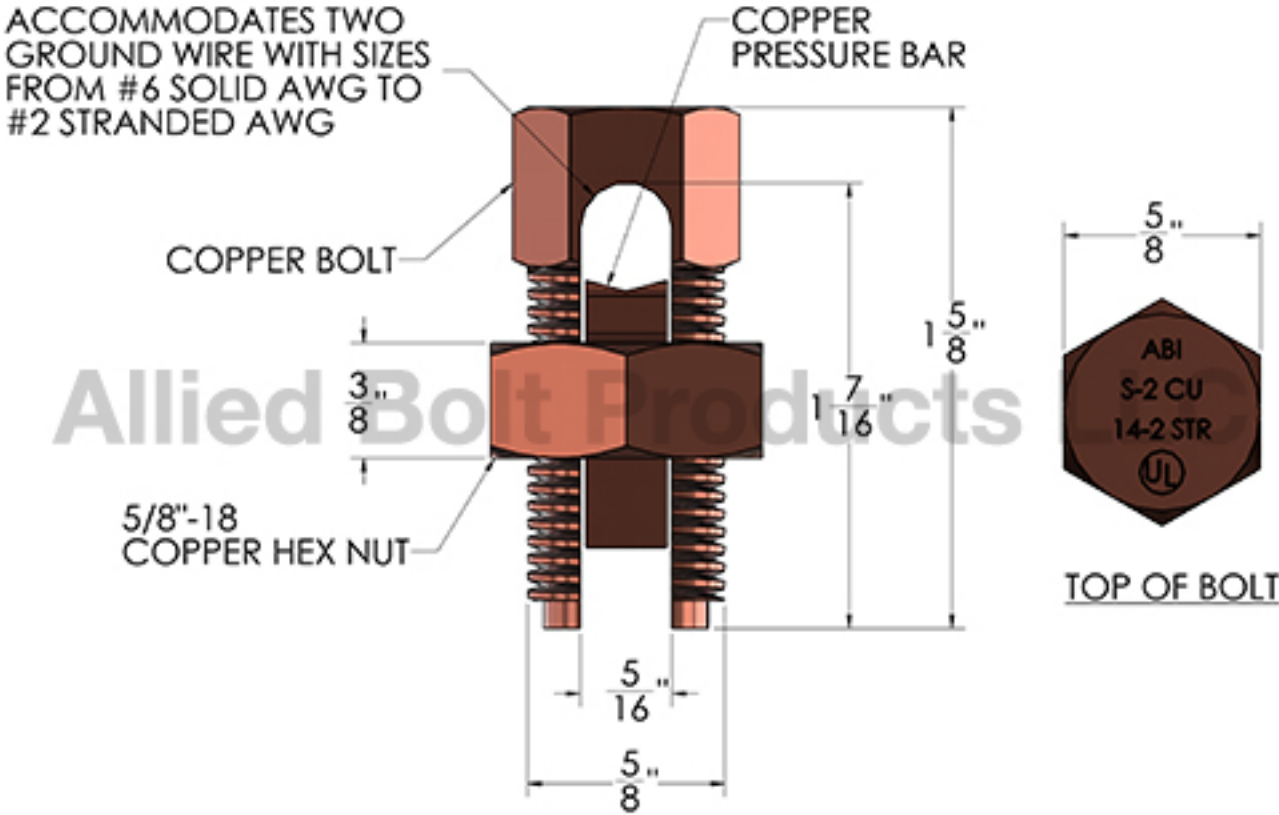
852

S-2 COPPER SPLIT BOLT

100

4

46



April 02, 2026