



#6620SQ

- A high-strength bronze casting used to bond ground wire to I-beams and other Steel structures.
- Ground wire may be installed before clamp is fixed on I-beam.
- Cup point on screw cuts through paint or oxide for a metal to metal bond.
- Slotted set screw and mounting screw formed from Grade 5 Steel.
- Square head available for high torque installations.
- UL Listed under file number E211717.

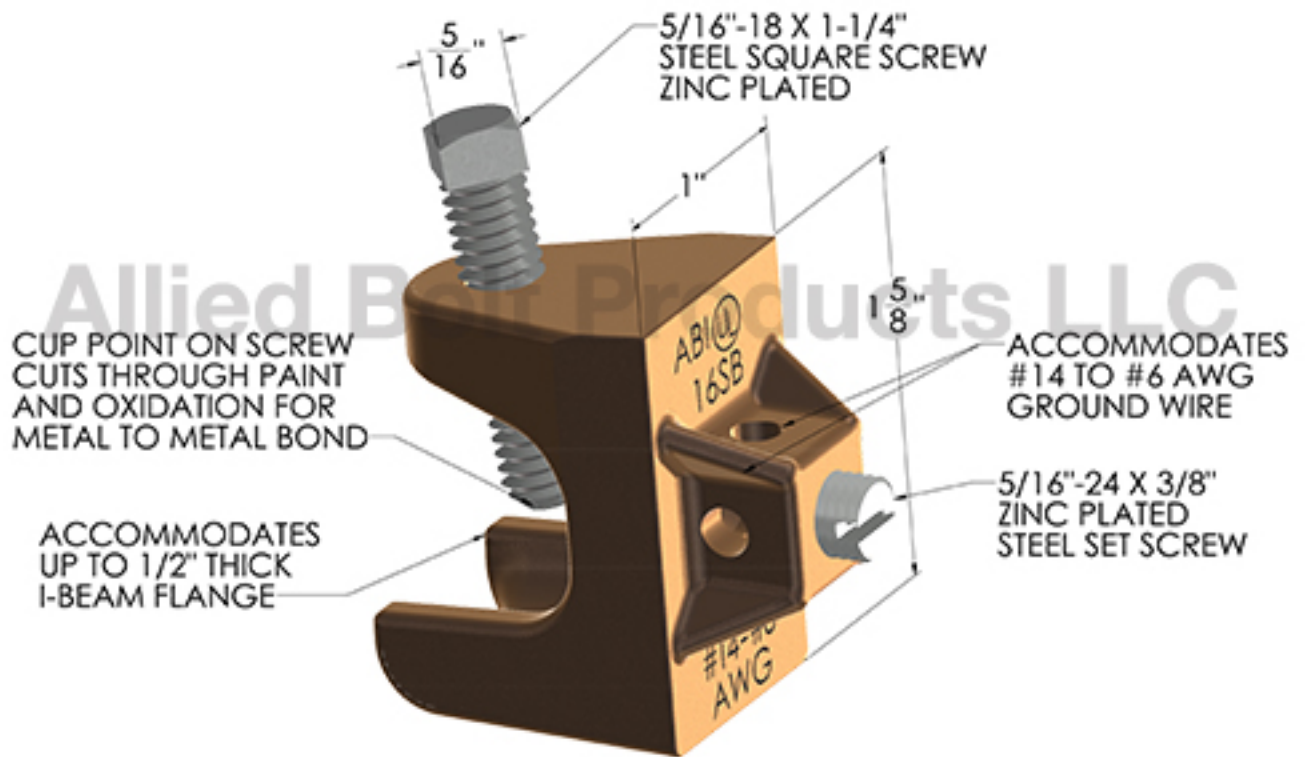
6620SQ

TRAILER GROUND CLAMP WITH
SQUARE BOLT

50

1

15



May 23, 2026