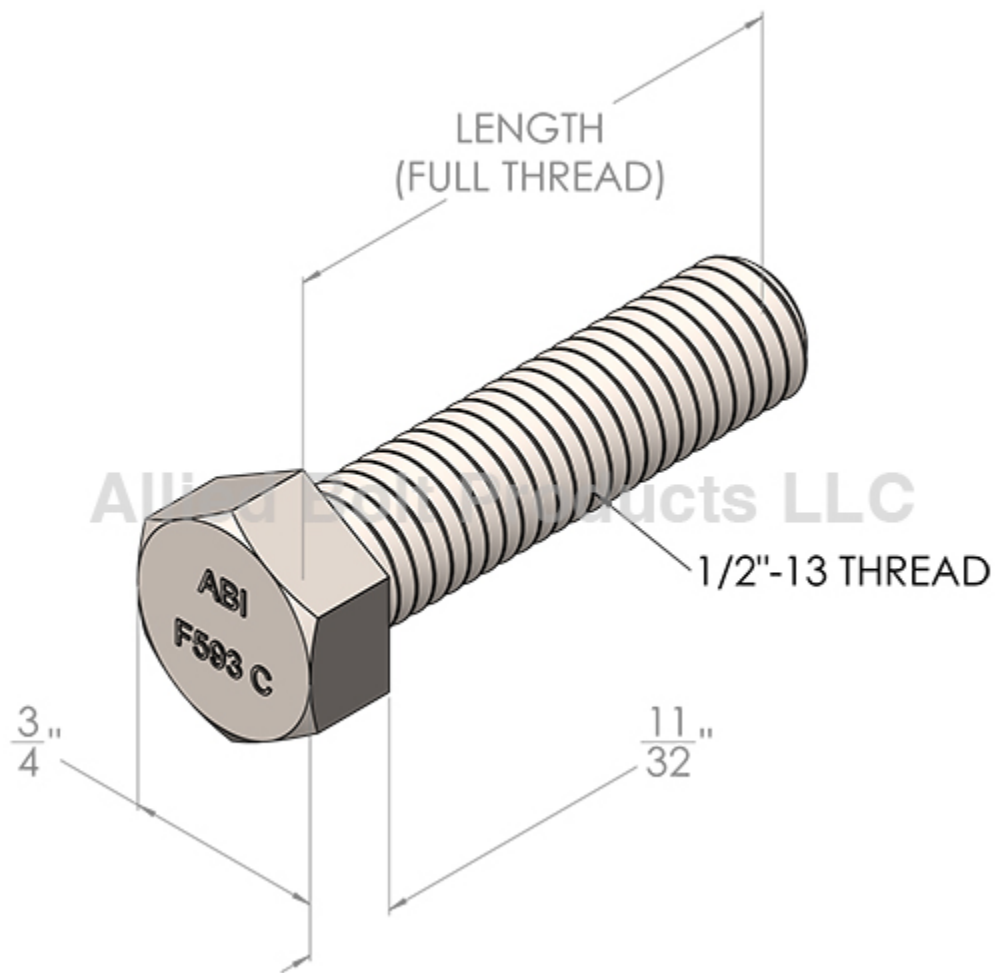




#76313

- Stainless bolts conform to ASTM F593.
- Bolts conform to the dimensions of ASME B18.2.1.
- Minimum tensile strength: 14,190 lbf.
- Recommended torque value: 79.7 ft lb.
- Thread length is 1" (full thread).

76313	1/2" x 1" HEX HEAD STAINLESS TAP BOLT MADE IN USA	100	4	36
-------	--	-----	---	----



June 13, 2026