

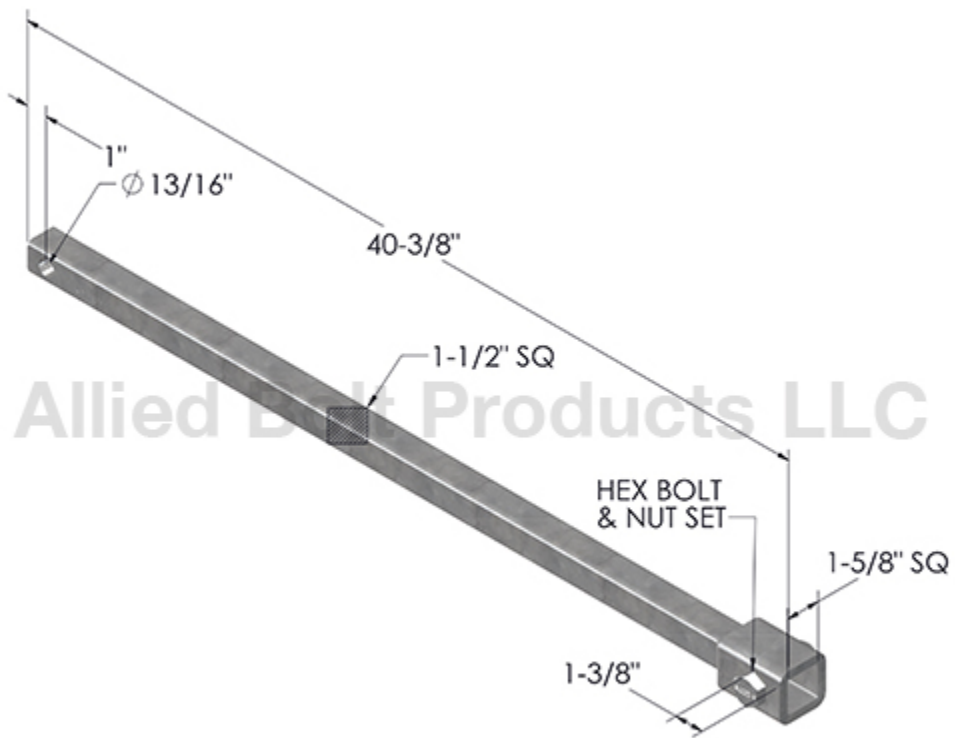


Allied Bolt Products LLC

## #76230

- Extensions are 1-1/2" square shank rods with a hollowed square end for engaging the Square Shank Multi Helix Anchor.
- Extension has a hole drilled in top of shank for engaging bolt of Guy Adaptor.
- The Extensions are equipped with Hex Bolt for securing the anchor.
- Extensions have a typical working torque of 5,500 ft. lbs.
- Extensions are forged for high strength.
- All components of Extension for Square Shank Multi Helix Anchor are hot dip galvanized to meet ASTM Specification A123.
- Rated at 7,000 lbs.
- Made in USA.
- Origin: Olathe, KS

76230	3-1/2' EXTENSION FOR MULTI HELIX SCREW ANCHOR MADE IN USA	1	1	27
-------	--	---	---	----



June 17, 2026