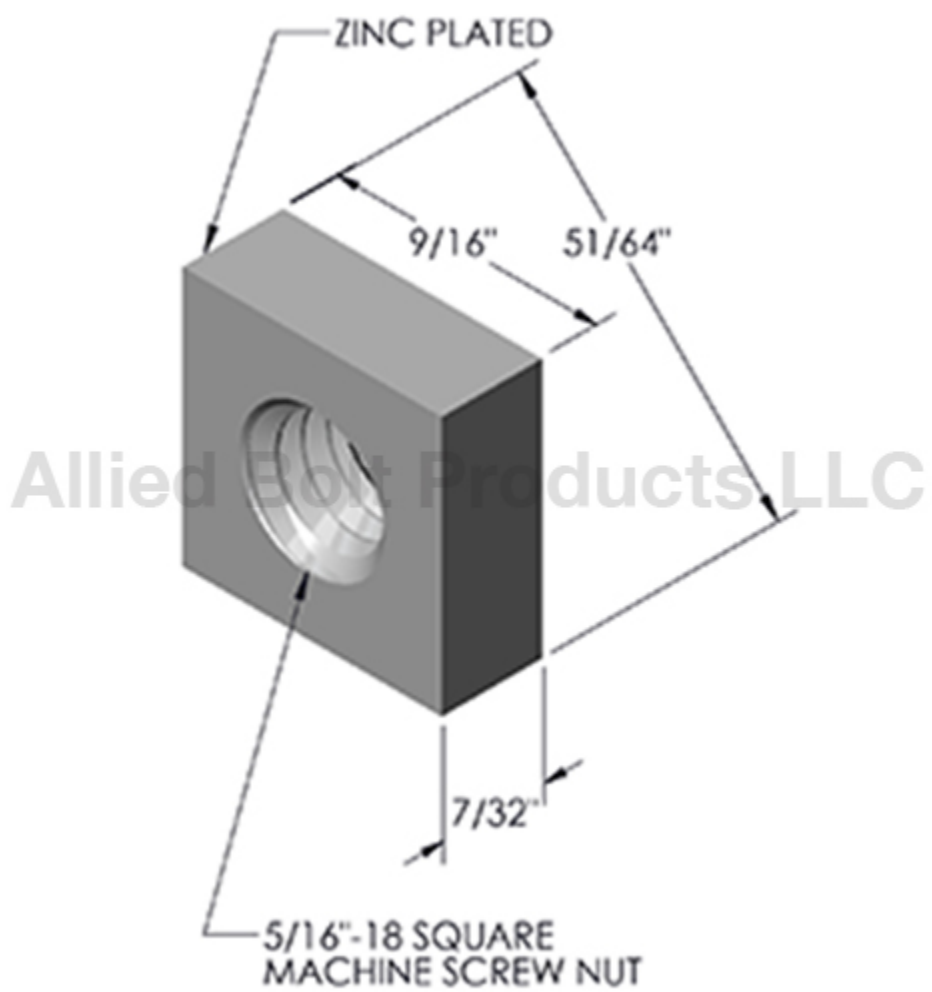




**#27050**

- Manufactured from Grade 2 steel.
- Offers a greater bearing surface for wrenching.
- Zinc plated to meet ASTM Specification F1941.
- Nuts conform to the dimensions of ASME B18.2.2.

27050	5/16"-18 SQUARE MACHINE SCREW NUT ZINC PLATED	100	16	24
-------	--	-----	----	----



June 13, 2026